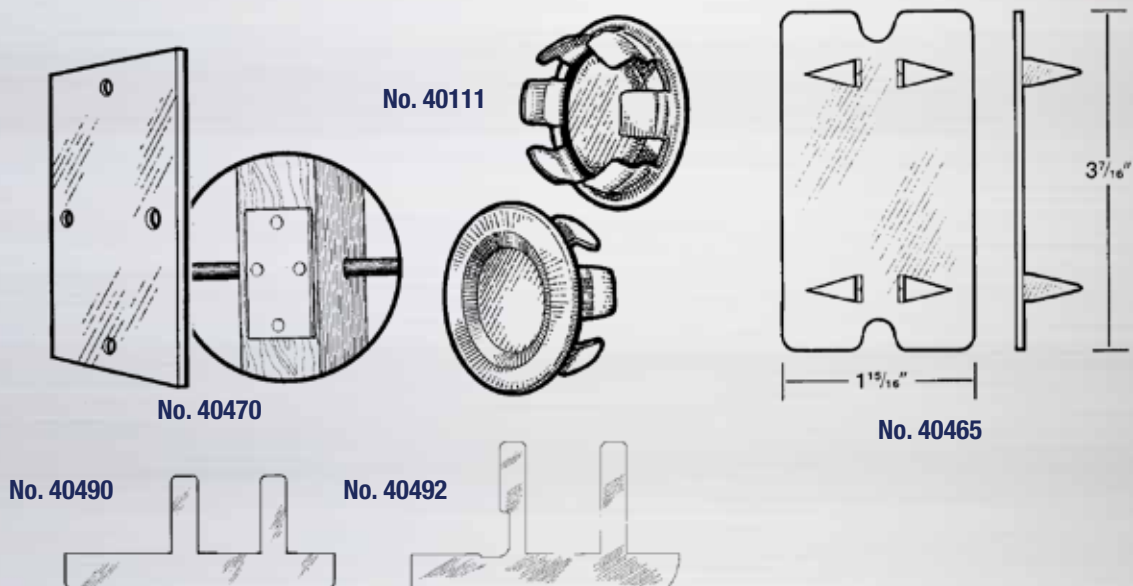


Knockout Seals, Switchbox Supports, and Nail Plates



Catalog No.	Description	Box Quantity	Carton Quantity	Weight Per 100 Units
CLOSED TYPE KNOCKOUT SEALS; BRIGHT ZINC PLATED STEEL				
40111	1/2"	100	1000	1.5 lbs.
40112	3/4"	100	1000	1.8 lbs.
40113	1"	50	500	2 lbs.
40114	1-1/4"	50	500	3 lbs.
40115	1-1/2"	50	500	4 lbs.
40116	2"	25	250	6 lbs.
SWITCH BOX SUPPORTS				
40490	Standard	50 pairs	500 pairs	3 lbs.
40492	Long Legs	50 pairs	500 pairs	3 lbs.
NAIL PLATES (.062" THICK STEEL)				
40465	1-15/16" x 3-7/16" Self-nailing	-	200	12 lbs.
40470	1-1/2" x 3" 4 nail holes	-	200	8 lbs.

